

# CABLE REELS FOR BATTERY CHARGING ZEUS-RB

## No. 223-RB

Useful energy



**ADVANCED FLUID  
MANAGEMENT SOLUTIONS**

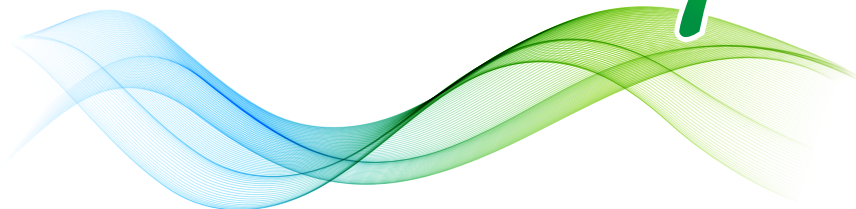




## HELP THE ENVIRONMENT

Depending on the item, the packaging may contain one or more of the following materials - to be recycled according to local municipal or state regulations.

cardboard • polyethylene bag • polystyrene  
paper • wood • nails • plastic straps  
cellophane • paper clips • gummed paper







**ADVANCED FLUID  
MANAGEMENT SOLUTIONS**



DESIGN IS

*Art*





**ADVANCED FLUID  
MANAGEMENT SOLUTIONS**

# CABLE REELS FOR BATTERY CHARGING

---

## ZEUS-RB

### ✓ STRENGTH POINTS

- Cable guide with rollers, horizontal and vertical, on 4 sides, designed to extend average cable life, comes standard on all models.
- IP44 protection degree standard on all models.
- Special electric collector to drastically reduce overheating during operation.
- Thermal protector standard on all models.
- An optional protection degree is available, useful to protect against accidental, uncontrolled rewinding of the cable.
- Repeated spring stress-tests guarantees decades of life and efficiency.
- 1,3 m inlet cable as standard to connect the cable reel for battery charging to the main line.





# TECHNICAL CHARACTERISTICS

Visit our  
website



## CABLE GUIDE

sturdy and resistant with reinforced steel interior.

## REWINDING CLUTCH

Optional: lets you rewind the drum at a safe speed.

## PAWL

Easy to remove for maintenance or when the work requires free sliding.

## SIDE CLUTCH

Has special seals that act as bracket clutch.

## SPRING

Tested to withstand over 20000 work cycles.

## EXTENSION CABLE

with 6 red cable for the positive pole and 6 black cable for the negative one previously divided and sheathed.

## FIXING BRACKET

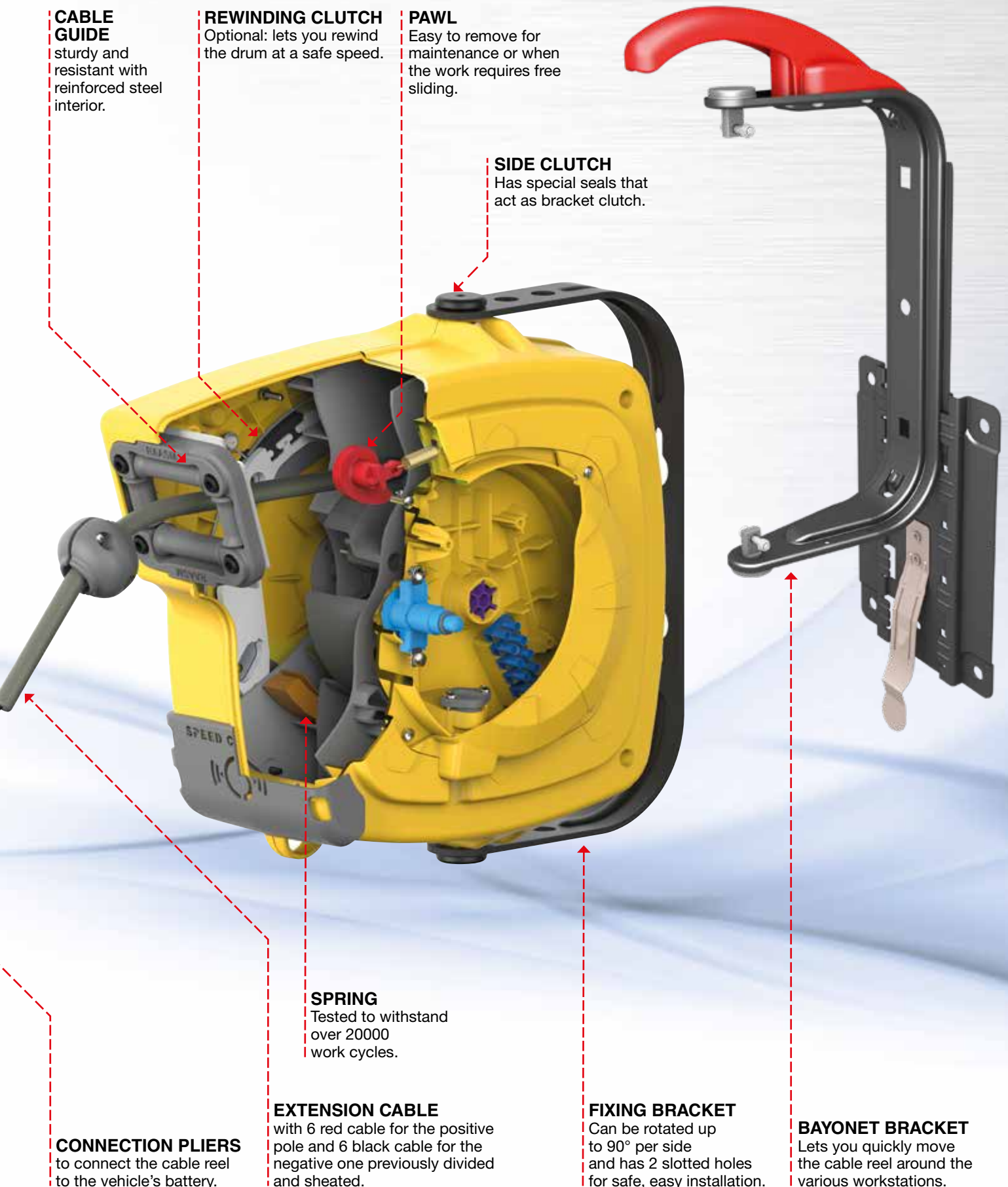
Can be rotated up to 90° per side and has 2 slotted holes for safe, easy installation.

## BAYONET BRACKET

Lets you quickly move the cable reel around the various workstations.

## CONNECTION PLIERS

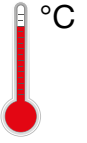
to connect the cable reel to the vehicle's battery.





# CABLE REELS FOR BATTERY CHARGING S. 280

The cable reels for battery charging are the ideal solutions designed by RAASM to facilitate the battery charging of the vehicles in the whole garage, in the farthest places from the main recharging device too. Usable as an extension cable with 6 or 9 meters, the cable reel can be used with a maximum charging current of 30 A and it's equipped with a reset button and a thermic protection against the current overload.



max temperature 70 °C



**FIXED AND SWIVELLING**

### COVER COLORS

- Shockproof plastic
- STANDARD
- RAL 1004

Overall dimensions without bayonet bracket (mm)	Overall dimensions with bayonet bracket (mm)	Packaging (mm) W x D x H
		440 x 195 x 485  No. 40 packages per pallet

(W: width - D: depth - H: height)



P/N	Number of conductors	Type of cable	Cable length	Max. charging current*	Weight
2155	6 red + 6 black	12 x 1,5 - H05 VV-F	4 + 2 m	30 A	7,6 Kg
2156	6 red + 6 black	12 x 1,5 - H05 VV-F	7 + 2 m	30 A	8,5 Kg

\* with unwound cable



### SPEED CONTROL

The versions listed below come with clutch so that cable rewinding can be performed at a controlled speed. They are marked by the **SPEED CONTROL** dataplate.

P/N	Number of conductors	Type of cable	Cable length	Max. charging current*	Weight
2155F	6 red + 6 black	12 x 1,5 - H05 VV-F	4 + 2 m	30 A	8,0 Kg
2156F	6 red + 6 black	12 x 1,5 - H05 VV-F	7 + 2 m	30 A	8,9 Kg

\* with unwound cable

## RELATED PRODUCTS

With plug and Schuko socket



P/N	Type of cable	Cable length
2315S	3G x 1,5 H05 VV-F	14 + 1 m

With plug and Schuko socket and Speed Control

P/N	Type of cable	Cable length
2315SF	3G x 1,5 H05 VV-F	14 + 1 m

With LED lamp



P/N	Type of cable	Cable length
2210L	3G x 1,5 H05 VV-F	14 + 1 m

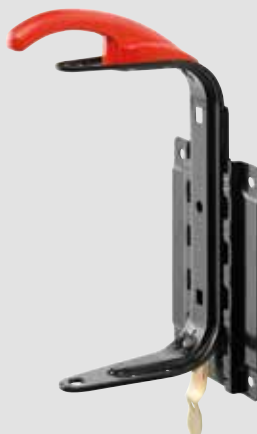
With LED lamp and Speed Control

P/N	Type of cable	Cable length
2210LF	3G x 1,5 H05 VV-F	14 + 1 m

## ACCESSORY FOR CABLE REELS

P/N 89003

Bayonet bracket, lets you easily move the cable reel within the various workstations.



## EXAMPLES OF CABLE REELS WITH ACCESSORIES







## ■ Technology

The research and development of cutting-edge solutions, carried out entirely in Italy, is the starting point for the entire production cycle.



## ■ Quality

Offering high-quality products is one of our main objectives. Specific and rigorous tests accompany every single stage of the production process.



## ■ Efficiency

RAASM offers a complete range of fluid management solutions suitable for many different sectors of use. Our success is founded on the ability to identify and satisfy the specific needs of our customers.

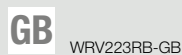


Company with quality, environment and safety system according to ISO 9001:2015, ISO 14001:2015 and ISO 45001:2018 standards

**RAASM S.p.A.**  
36022 S. ZENO DI CASSOLA (VI)  
Via Marangoni, 33 - ITALY

**Export department**  
Tel. +39 0424 571130 - Fax +39 0424 571135

**Technical department**  
Tel. +39 0424 571150 - Fax +39 0424 571155  
info@raasm.com - www.raasm.com



Authorized dealer